

Procédés Hallier Collection

► LED spotlight 35W

Spotlight

FOCUS PLUS



A tool at the service of professionals



Made in France

Designer - Manufacturer

www.procedeshallier.fr



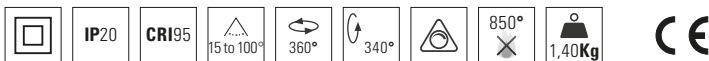
Procédés Hallier Collection

LED spotlight 35W

Spotlight FOCUS PLUS



Technical data



Power: 35W

CRI 95 in 3000 K and in 4000 K (R9>90)

Integrated LED driver

Voltage In:

90 to 240V, AC 50-60 Hz

output current 600 mA

Dimmable from 10% to 100% by manual potentiometer

Adjustable zoom from 15° to 100°

Rotary barn doors

Material: Aluminium

Finish: Black or Grey anodizing

LED luminous flux* : 2838 lm to 3126 lm

* LED measurement source

Options

External LED driver

DALI LED driver

DMX LED driver

BLUETOOTH controlled by iPhone, computer or dimmable bluetooth power switch ENOCEAN

Filter holder

Honeycomb filter

Installation

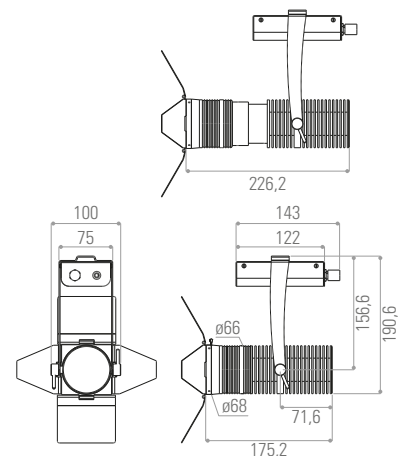
Single circuit track adaptor

3-circuit track adaptor

Backplate

Other options available on request (clamp, ...)

Dimensions (mm)



Photometry

FOCUS PLUS 4000 K 35W 600 mA IRC 95 15°

	lux
1m (ø22cm)	22500
2m (ø40cm)	6050
3m (ø60cm)	2320

Measures taken from right in the front of the spotlight

FOCUS PLUS 4000 K 15W 600 mA IRC 95 100°

	lux
1m (ø238cm)	1630
2m (ø477cm)	545
3m (ø715cm)	230

Measures taken from right in the front of the spotlight



Made in France

Factory & Head office : 69, rue Victor Hugo 93100 MONTREUIL - FRANCE

Tel. +33 (0)1 48 51 79 88 • contact@procedeshallier.fr

