

Procédés Hallier Collection

◉ Mini LED spotlight 3W

Spotlight

LUNEO'R



A tool at the service of professionals



Made in France

Designer - Manufacturer

www.procedeshallier.fr



Procédés Hallier Collection

► Mini LED spotlight 3W

Spotlight

LUNEO'R



► Technical data



Power: 3W

CRI 90 in 2800 K, 3000 K and CRI 95 in 4000 K (R9>90)

External LED driver (not included)

Voltage In:

220 to 240 V, AC 50-60 Hz

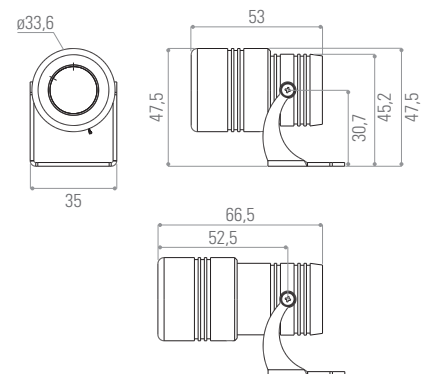
output current 700 mA

Adjustable zoom from 20° to 60°

Material: Aluminium

Finish: Black or Grey anodizing

► Dimensions (mm)



► Options

BLUETOOTH controlled by iPhone, computer or dimmable bluetooth power switch ENOCEAN

Electric connector

LED driver in 700 mA

LED driver 12V

Dimmable

Other colors available on request

► Installation

Single circuit track adaptor 12 V

Rod

Backplate

Fastening bar

Other option available on request

► Photometry

LUNEO'R 4000 K 3 W 700 mA CRI 95 20°

Distance (m)	Beam Diameter (cm)	Beam Diameter (in)	lux
0,3	ø16	0,63	2665
0,5	ø24	0,94	1130
1	ø45	1,77	300
1,5	ø70	2,76	149

Measures taken from right in the front of the spotlight

LUNEO'R 4000 K 3 W 700 mA CRI 95 60°

Distance (m)	Beam Diameter (cm)	Beam Diameter (in)	lux
0,3	ø47	1,85	1480
0,5	ø80	3,15	500
1	ø130	5,12	130
1,5	ø220	8,66	63

Measures taken from right in the front of the spotlight



Made in France

Factory & Head office : 69, rue Victor Hugo 93100 MONTREUIL - FRANCE
Tel. +33 (0)1 48 51 79 88 • contact@procedeshallier.fr

