

# Procédés Hallier Collection

◉ LED framing projector 35W

Framing projector

## ORBYS PLUS



A tool at the service of professionals



Made in France

Designer - Manufacturer

[www.procedeshallier.fr](http://www.procedeshallier.fr)



# Procédés Hallier Collection

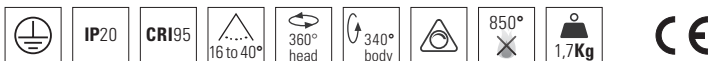
## LED framing projector 25W

Framing projector

# ORBYS PLUS



### Technical data



Power: 35W

CRI 95 in 3000 K and in 4000 K (R9>90)

Integrated LED driver

Voltage In:

120 to 277 V, AC 50-60 Hz

output current 900 mA

Dimmable from 10% to 100% by manual potentiometer

3 anti-reflective and anti-static lenses, including 2 ones adjustable by control knob

Adjustable zoom from 16° to 40° - 360° rotary focal

4 shutters

Integrated filter holder

Integrated Gobo holder (gobo dimensions  $\varnothing 28,5\text{mm}$  / 1,2mm thick max -  $\varnothing$  for picture 24mm max)

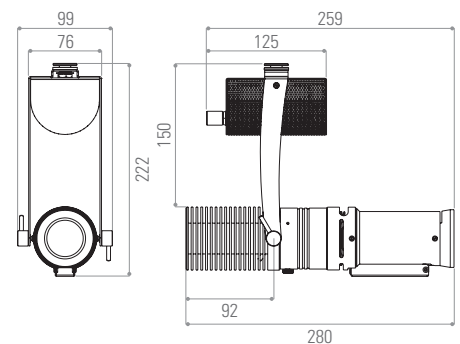
Material: Aluminium

Finish: Black or Grey anodizing

LED luminous flux\*: 3040 lm to 3167 lm

\* LED measurement source

### Dimensions (mm)



### Options

External LED driver

DALI LED driver

DMX LED driver

BLUETOOTH controlled by iPhone, computer or dimmable bluetooth power switch ENOCEAN

### Installation

Single circuit track adaptor

3-circuit track adaptor

Backplate

Other options available on request

### Photometry

ORBYS PLUS 4000 K 35W 900 mA CRI 95

	lux
1m ( $\varnothing 41\text{cm}$ )	14049
2m ( $\varnothing 83\text{cm}$ )	3395
3m ( $\varnothing 121\text{cm}$ )	1589

Measures taken from right in the front of the spotlight



Made in France

Factory & Head office : 69, rue Victor Hugo 93100 MONTREUIL - FRANCE

Tel. +33 (0)1 48 51 79 88 • contact@procedeshallier.fr

