

Procédés Hallier Collection

◉ LED framing projector 35W

Framing projector

ORBYS PLUS



A tool at the service of professionals



Made in France

Designer - Manufacturer

www.procedeshallier.fr



Procédés Hallier Collection

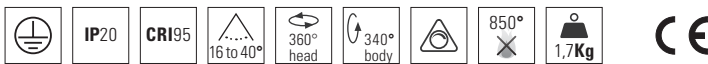
LED framing projector 25W

Framing projector

ORBYS PLUS



Technical data



Power: 35W
 CRI 95 in 3000 K and in 4000 K (R9>90)
 Integrated LED driver
 Voltage In:
 120 to 277 V, AC 50-60Hz
 output current 900mA
 Dimmable from 10% to 100% by manual potentiometer
 3 anti-reflective and anti-static lenses, including 2 ones adjustable by control knob
 Adjustable zoom from 16° to 40° - 360° rotary focal
 4 shutters
 Integrated filter holder
 Integrated Gobo holder (gobo dimensions $\varnothing 28,5\text{mm}$ / 1,2mm thick max - \varnothing for picture 24mm max)
 Material: Aluminium
 Finish: Black or Grey anodizing
 LED luminous flux*: 3040lm to 3167lm

* LED measurement source

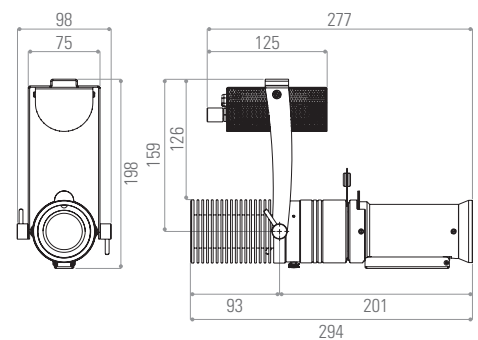
Options

External LED driver
 DALI LED driver
 DMX LED driver
 BLUETOOTH controlled by iPhone, computer or dimmable bluetooth power switch ENOCEAN

Installation

Single circuit track adaptor
 3-circuit track adaptor
 Backplate
 Other options available on request

Dimensions (mm)



Photometry

ORBYS PLUS 4000 K 35W 900mA CRI 95

	lux
1m ($\varnothing 41\text{cm}$)	14049
2m ($\varnothing 83\text{cm}$)	3395
3m ($\varnothing 121\text{cm}$)	1589

Measures taken from right in the front of the spotlight



Made in France

Factory & Head office : 69, rue Victor Hugo 93100 MONTREUIL - FRANCE
 Tel. +33 (0)1 48 51 79 88 • contact@procedeshallier.fr

