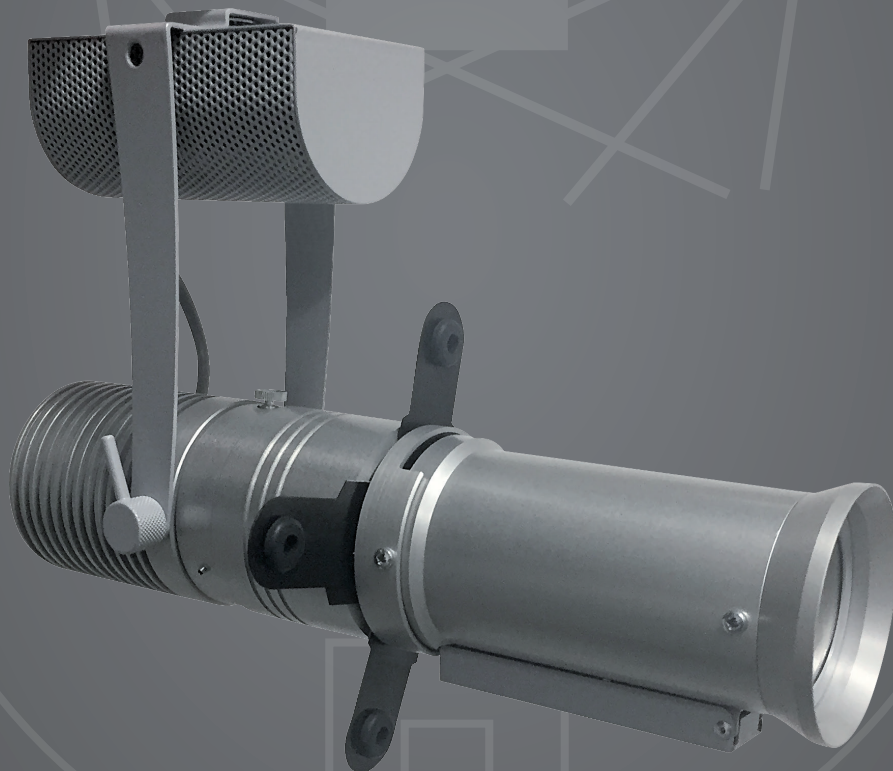


Procédés Hallier Collection

◉ LED framing projector 25W

Framing projector

ORBYS



A tool at the service of professionals



Made in France

Designer - Manufacturer

www.procedeshallier.fr

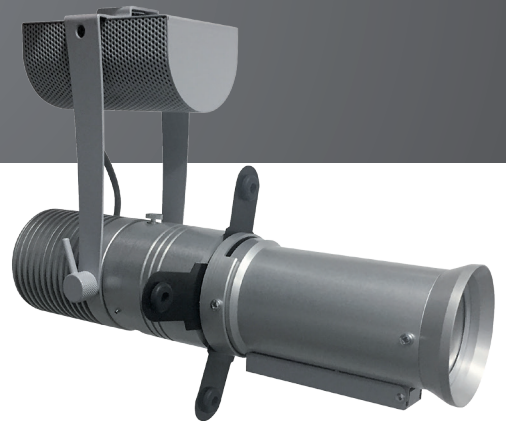


Procédés Hallier Collection

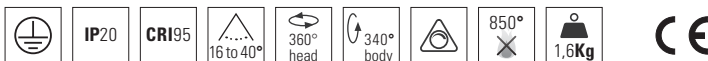
► LED framing projector 25W

Framing projector

ORBYS



► Technical data



Power: 25W
 CRI 95 in 3000 K and in 4000 K (R9>90)
 Integrated LED driver
 Voltage In:
 120 to 277 V, AC 50-60 Hz
 output current 700 mA
 Dimmable from 0% to 100% by manual potentiometer
 3 anti-reflective and anti-static lenses, including 2 ones adjustable by control knob
 Adjustable zoom from 16° to 40° - 360° rotary focal
 4 shutters
 Integrated filter holder
 Integrated Gobo holder (gobo dimensions $\varnothing 28,5\text{mm}$ / 1,2mm thick max - \varnothing for picture 24mm max)
 Material: Aluminium
 Finish: Black or Grey anodizing
 LED luminous flux*: 2464 lm to 2567 lm

* LED measurement source

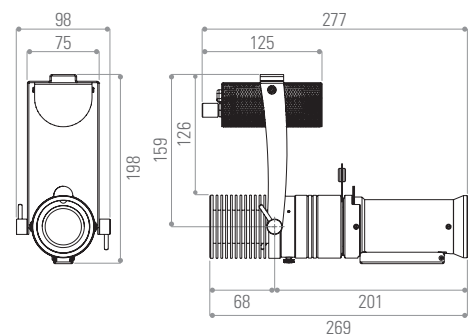
► Options

External LED driver
 DALI LED driver
 DMX LED driver
 BLUETOOTH controlled by iPhone, computer or dimmable bluetooth power switch ENOCEAN

► Installation

Single circuit track adaptor
 3-circuit track adaptor
 Backplate
 Other options available on request

► Dimensions (mm)



► Photometry

ORBYS 4000 K 25W 700 mA CRI 95

	lux
1m ($\varnothing 40\text{cm}$)	11063
2m ($\varnothing 80\text{cm}$)	2707
3m ($\varnothing 120\text{cm}$)	1260

Measures taken from right in the front of the spotlight



Made in France

Factory & Head office : 69, rue Victor Hugo 93100 MONTREUIL - FRANCE
 Tel. +33 (0)1 48 51 79 88 • contact@procedeshallier.fr

