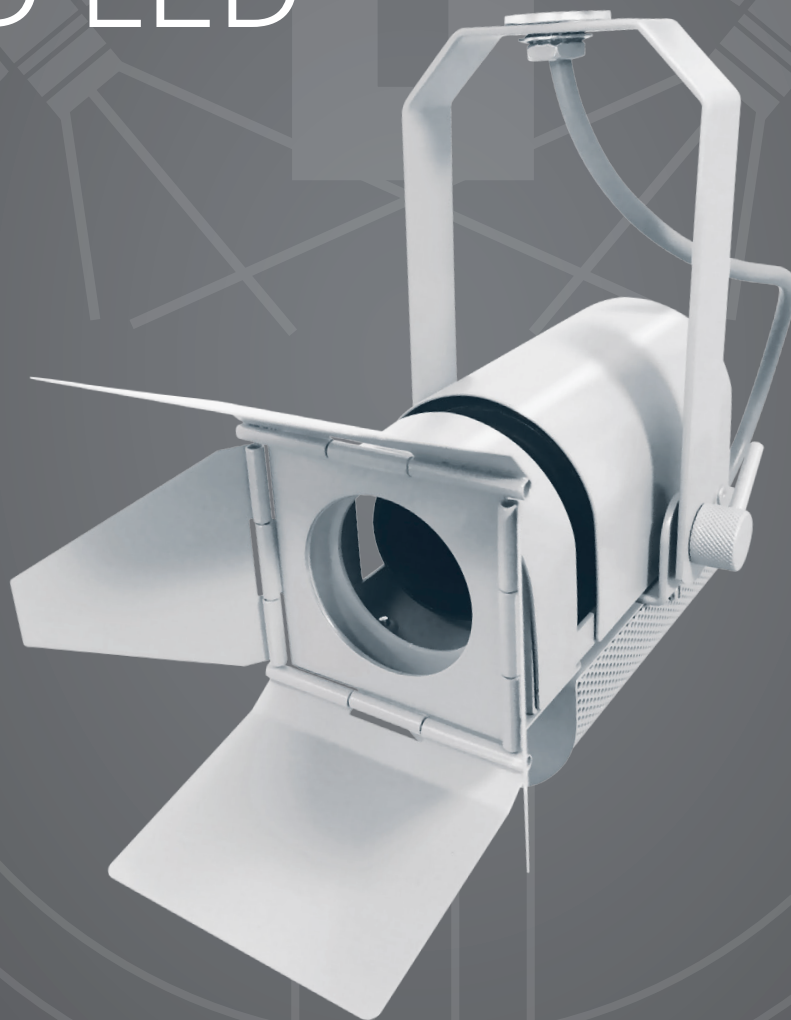


Procédés Hallier Collection

► **LED spotlight** 9W or GU5.3

Spotlight

QUAD LED



A tool at the service of professionals



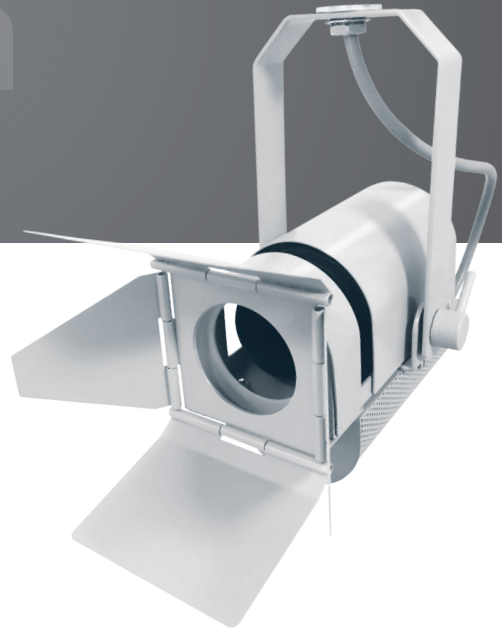
Made in France

Designer - Manufacturer

www.procedeshallier.fr



Procédés Hallier Collection

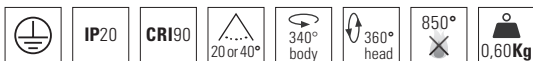


► LED spotlight 9W or GU5.3

Spotlight

QUAD LED

► Technical data



Power: 9W

CRI 90 in 3000K and in 4000K

Integrated LED driver

Voltage In:

220 to 240V, AC 50-60Hz

output current 500mA

Dimmable from 0% to 100% by manual potentiometer

Beam angle 20° or 40° to select (possibility to swap yourself)

Integrated filter holder

Fixed barn doors

Material: Steel

Finish: Powder painted Black, White or Grey - other colors on request

Or

GU5.3 socket source for LED bulb in 300 mA



► Options

BLUETOOTH controlled by iPhone, computer or dimmable bluetooth power switch ENOCEAN

Rotary barn doors

► Installation

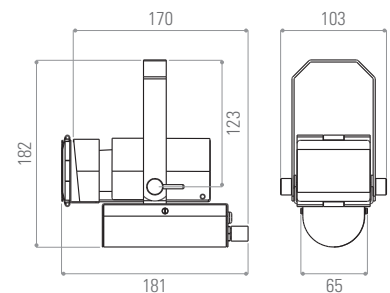
Single circuit track adaptor

3-circuit track adaptor

Backplate

Other options available on request (clamp, ...)

► Dimensions (mm)



► Photometry

QUAD LED 3000 K 9W 500 mA CRI 90

20°

Distance (m)	Beam Diameter (cm)	Beam Diameter (in)	lux
1	42	1.65	2257
2	84	3.31	564
3	125	4.92	251
4	167	6.58	142

40°

Distance (m)	Beam Diameter (cm)	Beam Diameter (in)	lux
1	69	2.72	1574
2	138	5.43	394
3	207	8.15	175
4	276	10.87	98

Measures taken from right in the front of the spotlight

QUAD LED 4000 K 9W 500 mA CRI 90

20°

Distance (m)	Beam Diameter (cm)	Beam Diameter (in)	lux
1	42	1.65	2505
2	84	3.31	626
3	125	4.92	278
4	167	6.58	156

40°

Distance (m)	Beam Diameter (cm)	Beam Diameter (in)	lux
1	69	2.72	1660
2	138	5.43	415
3	207	8.15	185
4	276	10.87	103

Measures taken from right in the front of the spotlight



Made in France

Factory & Head office: 69, rue Victor Hugo 93100 MONTREUIL - FRANCE

Tel. +33 (0)1 48 51 79 88 • contact@procedeshallier.fr

