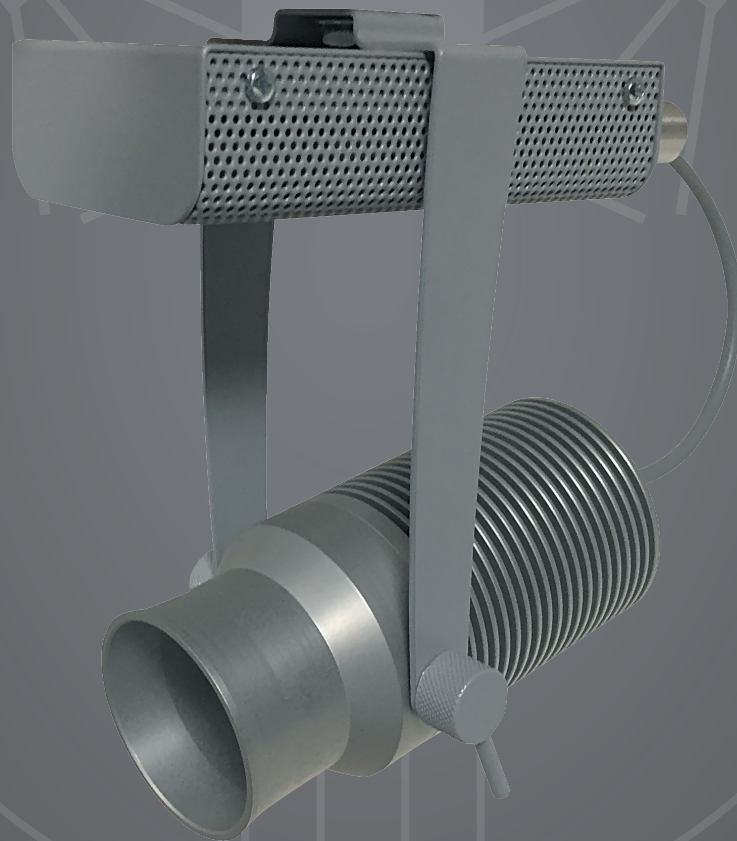


Procédés Hallier Collection

◉ LED spotlight 10W

Spotlight

TEO



A tool at the service of professionals



Made in France

Designer - Manufacturer

www.procedeshallier.fr



Procédés Hallier Collection

LED spotlight 10W

Spotlight TEO



Technical data



Power: 10W

CRI 90 in 2800K and CRI 80 in 4000K

Integrated LED driver

Voltage In:

220 to 240 V, AC 50-60Hz

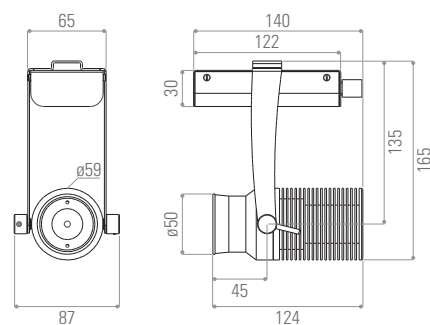
output current 700 mA

Beam angle 25°

Material: Aluminium

Finish: Black or Grey anodizing

Dimensions (mm)



Options

BLUETOOTH controlled by iPhone, computer or dimmable bluetooth power switch ENOCEAN

Rotary barn doors

Other colors available on request (powder paint)

Installation

Single circuit track adaptor

3-circuit track adaptor

Backplate

Other options available on request (clamp, ...)

Photometry

TEO 4000 K 10W 700 mA CRI 80 25°

	lux
1m (ø76cm)	2440
2m (ø145cm)	700
3m (ø220cm)	300

Measures taken from right in the front of the spotlight



Made in France

Factory & Head office: 69, rue Victor Hugo 93100 MONTREUIL - FRANCE
Tel. +33 (0)1 48 51 79 88 • contact@procedeshallier.fr

