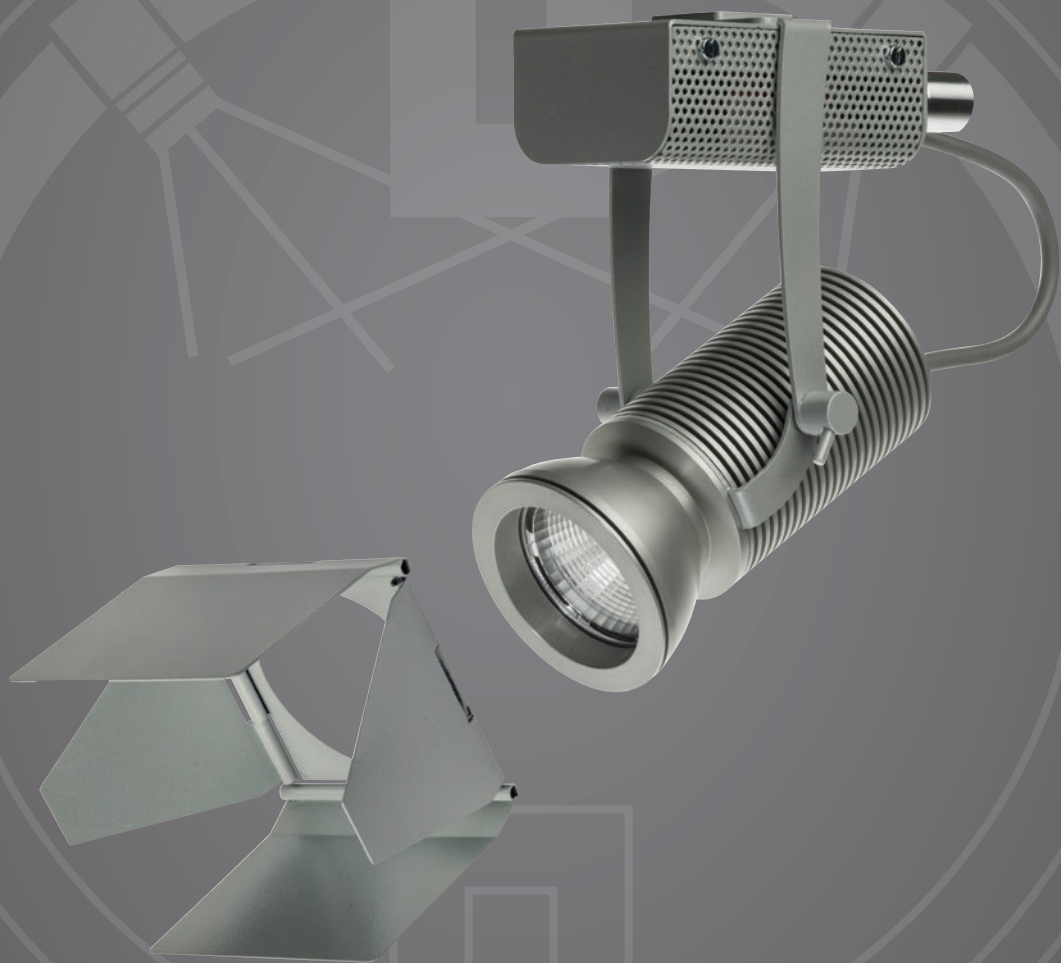


Procédés Hallier Collection

◉ LED spotlight 12W

Spotlight
ZEF



A tool at the service of professionals



Made in France

Designer - Manufacturer

www.procedeshallier.fr



Procédés Hallier Collection



LED spotlight 12W

Spotlight ZEF

Technical data



Power: 12W

CRI 95 in 3000 K and in 4000 K (R9>90)

Integrated LED driver

Voltage In:

90 to 240 V, AC 50-60 Hz

output current 350 mA

Dimmable from 10% to 100% by manual potentiometer

Beam angle 17° or 29° or 40° to select (possibility to swap yourself)

Rotary barn doors

Material: Aluminium

Finish: Black or Grey anodizing

LED luminous flux*: 1443 lm to 1469 lm

* LED measurement source

Options

External LED driver

DALI LED driver

DMX LED driver

BLUETOOTH controlled by iPhone, computer or dimmable bluetooth power switch ENOCEAN

Filter holder

Other colors available on request

Installation

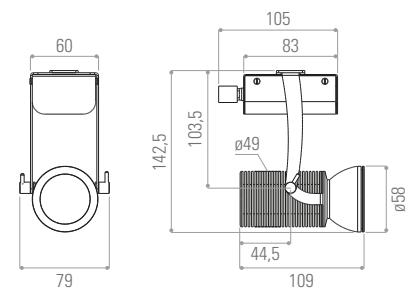
Single circuit track adaptor

3-circuit track adaptor

Backplate

Other options available on request (clamp, ...)

Dimensions (mm)



Photometry

ZEF 3000 K 12 W 350 mA CRI 95

17°

Distance (m)	Beam Diameter (cm)	Luminous Flux (lux)
1m (ø145cm)	3570 ø30cm	
2m (ø290cm)	804 ø60cm	
3m (ø435cm)	424 ø90cm	

29°

Distance (m)	Beam Diameter (cm)	Luminous Flux (lux)
1m (ø155cm)	1580 ø51cm	
2m (ø320cm)	423 ø103cm	
3m (ø455cm)	192 ø155cm	

40°

Distance (m)	Beam Diameter (cm)	Luminous Flux (lux)
1m (ø160cm)	1170 ø72cm	
2m (ø335cm)	360 ø145cm	
3m (ø460cm)	170 ø218cm	

Measures taken from right in the front of the spotlight



Made in France

Factory & Head office : 69, rue Victor Hugo 93100 MONTREUIL - FRANCE

Tel. +33 (0)1 48 51 79 88 • contact@procedeshallier.fr

