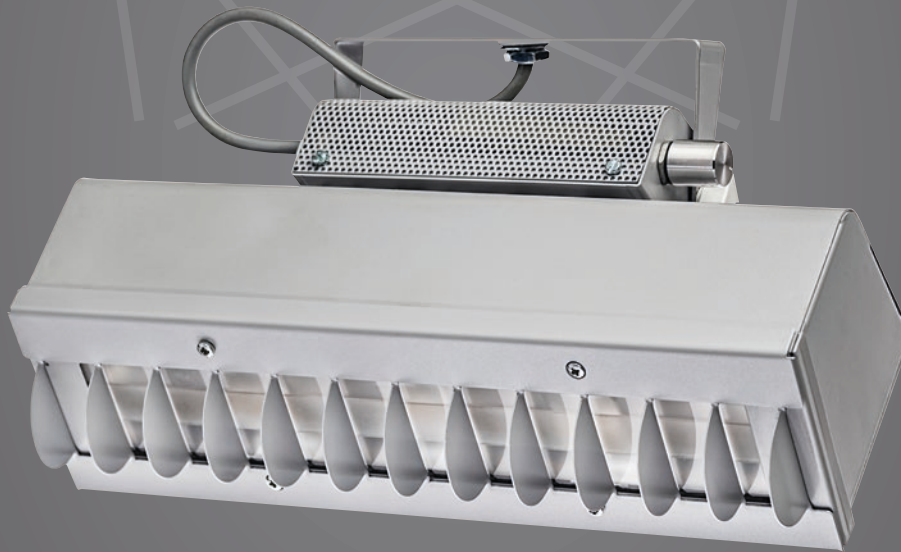


# Procédés Hallier Collection

◉ LED asymmetric projector 28W

Wall washer fixture

## ASYLUX



A tool at the service of professionals



Made in France

D e s i g n e r - M a n u f a c t u r e r

[www.procedeshallier.fr](http://www.procedeshallier.fr)

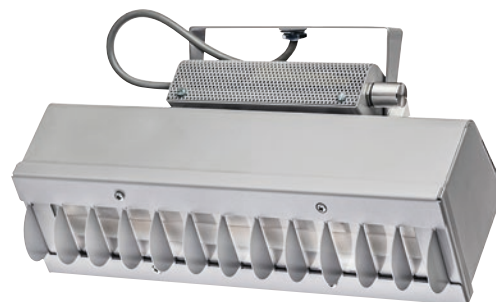


# Procédés Hallier Collection

## ► LED asymmetric projector 28W

Wall washer fixture

# ASYLUX



### ► Technical data



Power: 28W

CRI 90 in 3000K and in 4000K

Integrated LED driver

Voltage In:

110 to 240V, AC 50-60Hz

output current 700mA

Dimmable from 0% to 100% by manual potentiometer

Wall wash light distribution

Material: Steel

Finish: Powder painted Black, White or Grey - other colors on request

LED luminous flux\* : 2880lm to 3200lm

\* LED measurement source

### ► Options

External LED driver

DALI LED driver

DMX LED driver

BLUETOOTH controlled by iPhone, computer or dimmable bluetooth power switch ENOCEAN

### ► Installation

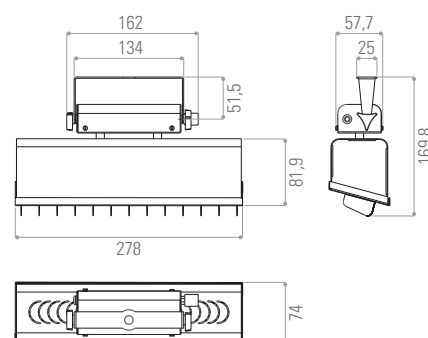
Single circuit track adaptor

3-circuit track adaptor

Backplate

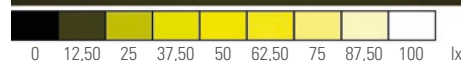
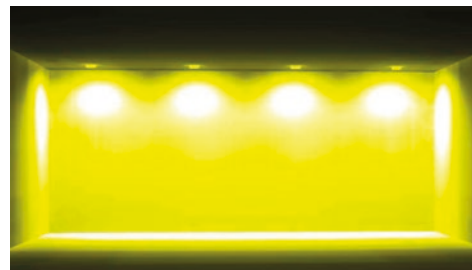
Other options available on request (clamp, ...)

### ► Dimensions (mm)



### ► False colour rendering

ASYLUX - Room H.5m / L.12m - Every 3m



Made in France

Factory & Head office : 69, rue Victor Hugo 93100 MONTREUIL - FRANCE

Tel. +33 (0)1 48 51 79 88 • contact@procedeshallier.fr

