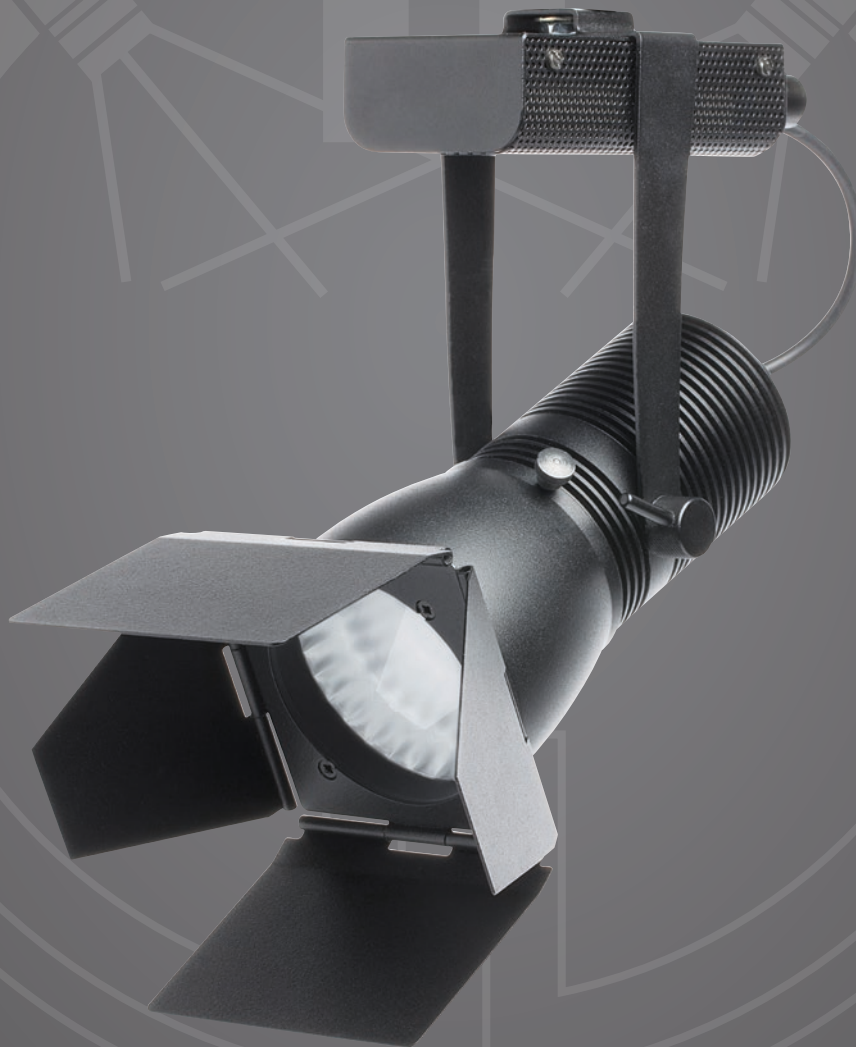


Procédés Hallier Collection

◉ LED spotlight 20W

Spotlight

REFLECTO



A tool at the service of professionals



Made in France

Designer - Manufacturer

www.procedeshallier.fr



Procédés Hallier Collection

LED spotlight 20W

Spotlight

REFLECTO



Technical data



Power: 20W

CRI 95 in 3000 K and in 4000 K (R9>90)

Integrated LED driver

Voltage In:

110 to 240 V, AC 50-60 Hz

output current 480 mA

Dimmable from 0% to 100% by manual potentiometer

Beam angle 45°

Rotary barn doors

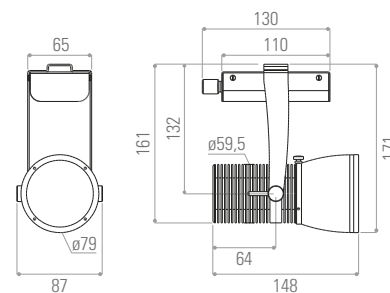
Material: Aluminium

Finish: Black or Grey anodizing

LED luminous flux*: 1972 lm to 2003 lm

* LED measurement source

Dimensions (mm)



Options

External LED driver

DALI LED driver

DMX LED driver

BLUETOOTH controlled by iPhone, computer or dimmable bluetooth power switch ENOCEAN

Other colors available on request

Installation

Single circuit track adaptor

3-circuit track adaptor

Backplate

Other options available on request (clamp, ...)

Photometry

REFLECTO 4000 K 20W 480 mA CRI 95 45°

Distance (m)	Beam Diameter (cm)	Beam Diameter (cm)	lux
1	140	1805	
2	260	506	
3	330	230	

Measures taken from right in the front of the spotlight



Made in France

Factory & Head office : 69, rue Victor Hugo 93100 MONTREUIL - FRANCE

Tel. +33 (0)1 48 51 79 88 • contact@procedeshallier.fr

